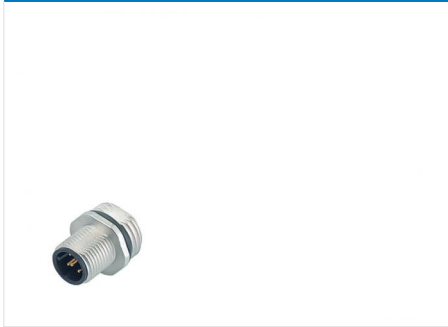
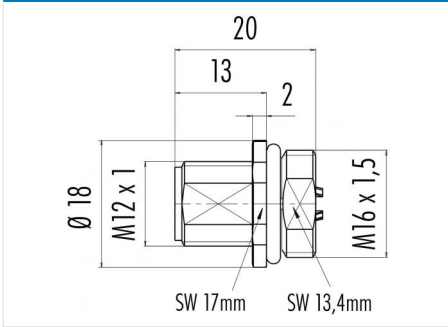


Product description	M12-A male panel mount connector, Contacts: 5, not shielded, solder, IP68, UL, M16x1.5
Area	M12-A series 713
Order number	86 0231 0002 00005

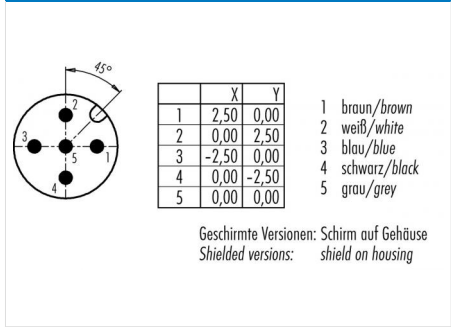
Illustration



Scale drawing



Contact arrangement (Plug-in side)



You can find the assembly instructions on the next page.

Technical data

General values

Connector design	male panel mount connector
Connector locking system	screw
Termination	solder
Wire gauge (mm)	0.34 mm ²
Wire gauge (AWG)	22
Upper limit temperature	85 °C
Lower limit temperature	- 40 °C
Customs tariff number	85369010
Packaging Unit	20

Electrical values

Rated current (40 °C)	4 A (3 A UL)
Rated voltage	60 V
Rated impulse voltage	1500 V
Pollution degree	3
Overvoltage category	II
Insulating material group	II
Insulation resistance	> 10 ⁸ Ω
EMC compliance	not shielded
Degree of protection	IP68
Mechanical operation	> 100 Mating cycles

Cable data

Approval 1	UL
------------	----

Material

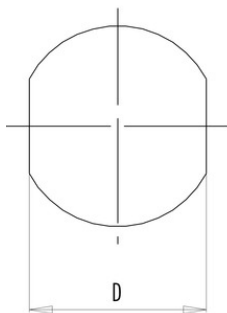
Contact material	CuZn (brass)
Contact plating	Au (gold)
Contact body material	PA
Housing material	Zinc die-cast nickel-plated
REACH SVHC	CAS 7439-92-1 (Lead)

Product description **M12-A male panel mount connector, Contacts: 5, not shielded, solder, IP68, UL, M16x1.5**

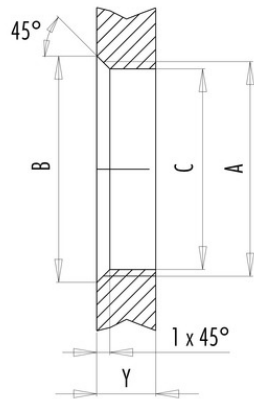
Area **M12-A series 713**
 Order number **86 0231 0002 00005**

Assembly instructions / Panel cut-out

With flats as anti-rotation device



With bore hole



Installation direction:
o-ring sits on chamfer.

Thread	Measures			Tightening torque	
	B (mm)	C (mm)	D (mm)	Metal housing/ Positioning sleeve	Plastic housing/ Positioning sleeve
PG 9	16,2	15,3	13,5	1,25 Nm	1,25 Nm
PG 11	20,2	18,7	17,0	2 Nm	–
PG 13,5	21,5	20,5	–	2 Nm	–
M12 x 0,5	–	12,1	–	–	0,4 Nm
M12 x 1	–	12,2	–	1 Nm	–
M14 x 1	15,2	14,2	–	1,25 Nm	–
M16 x 1,5	17,0	16,1	13,5	1,25 Nm	1,25 Nm
M20 x 1,5	21,0	20,1	–	2 Nm	1,25 Nm

Version	Thickness of wall Y (mm)	
	min (mm)	max (mm)
Fastened from back side	2	3,5
Front fastened	2	4,5
Positioning possible ¹⁾	2	3,5
Screw clamp	2	3,5
Thread M12 x 1	2	3,0
Thread M14 x 1 ²⁾	³⁾ 1,5/ ⁴⁾ 2	6,5

Notes

- ¹⁾ Do not attach a chamfer
- ²⁾ Wall thickness:
use locknut 01-5385
up to 1,5 mm,
>1,5 mm cut thread
- ³⁾ Nut
- ⁴⁾ Thread in wall of housing

Product description	M12-A male panel mount connector, Contacts: 5, not shielded, solder, IP68, UL, M16x1.5
Area	M12-A series 713
Order number	86 0231 0002 00005

Security notices

The connectors are designed for use in plant, control system and electrical equipment. The end user is responsible for checking whether the connectors are suitable for use in other applications. Connectors with degree of protection IP 67 and IP 68 are not suitable for use under water. When used outdoors, the connectors must be separately protected against corrosion. For further information about IP degrees of protection refer to 'Technical support' in the Download Centre.